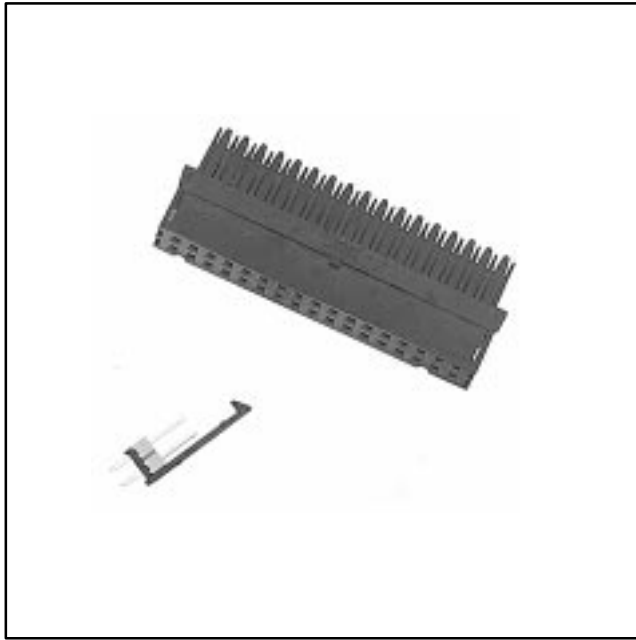


.100" Shielded Controlled Impedance (SCI)

Assembly Hardware



30

2 Row Carrier Housing

- Carriers available in 3M .100" × .100" Socket (2.54 mm × 2.54 mm)
- Compatible with 3M .100" × .100" Headers (2.54 mm × 2.54 mm)
- Available in short or long latch styles

3 Row Carrier Housing

- Integral locking feature
- Includes two retention clips

2 Pin Header Latch

- Available for the right angle SCI connector

4 × 35 Carrier Housing

- Mates to industry 4 × 35 backplane connector

Date Modified: February 24, 2000

TS-0802-05
Sheet 1 of 3

Physical

Insulation Material

2 Row: Polycarbonate

3 Row: Glass Reinforced Polyester

Color: Black

Flammability: UL 94V-0

Marking: 3M Logo

For technical and quoting information call **800-334-7372**

3M Interconnect Solutions Division

6801 River Place Blvd.
Austin, TX 78726-9000

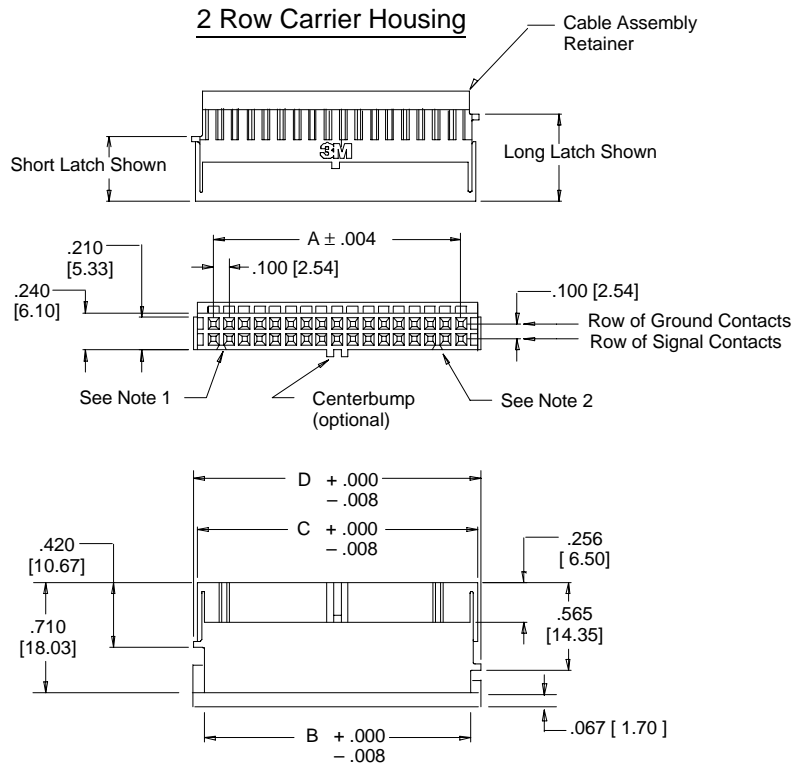
For technical, sales or ordering information call
800-225-5373

.100" Shielded Controlled Impedance (SCI)

Assembly Hardware

Contact Quantity	Dimension A	Dimension B	Dimension C	Dimension D
06	0.20 [5.1]	0.32 [8.1]	0.41 [10.4]	0.46 [11.7]
08	0.30 [7.6]	0.42 [10.7]	0.51 [13.0]	0.56 [14.2]
10*	0.40 [10.2]	0.52 [13.2]	0.61 [15.5]	0.66 [16.8]
12	0.50 [12.7]	0.62 [15.7]	0.71 [18.0]	0.76 [19.3]
14*	0.60 [15.2]	0.72 [18.3]	0.81 [20.6]	0.86 [21.8]
16*	0.70 [17.8]	0.82 [20.8]	0.91 [23.1]	0.96 [24.4]
20*	0.90 [22.9]	1.02 [25.9]	1.11 [28.2]	1.16 [29.5]
26*	1.20 [30.5]	1.32 [33.5]	1.41 [35.8]	1.46 [37.1]
30	1.40 [35.6]	1.52 [38.6]	1.61 [40.9]	1.66 [42.2]
34*	1.60 [40.6]	1.72 [43.7]	1.81 [46.0]	1.86 [47.2]
40*	1.90 [48.3]	2.02 [51.3]	2.11 [53.6]	2.16 [54.9]
50*	2.40 [61.0]	2.52 [64.0]	2.61 [66.3]	2.66 [67.6]
60	2.90 [73.7]	3.02 [76.7]	3.11 [79.0]	3.16 [80.3]
64*	3.10 [78.7]	3.22 [81.8]	3.31 [84.1]	3.36 [85.3]

*Tooled sizes



Inch
[mm]

Tolerance Unless Noted			
	.0	.00	.000
Inch	± .1	± .01	± .005

[] Dimensions for Reference only

Notes:

1. Polarizing groove omitted for N = 6, N = 8.
2. Polarizing groove omitted for N = 6, N = 8, N = 10, N = 12, N = 14.

Ordering Information

2 Row Carrier Housing 98XX-XXM0

Contact Qty See Table 1

Molded Retention Feature

Carrier Style
 PS = Centerbump, Short Latches
 NS = No Centerbump, Short Latches
 PL = Centerbump, Long Latches
 NL = No Centerbump, Long Latches

For technical and quoting information call **800-334-7372**

TS-0802-05
Sheet 2 of 3

3M Interconnect Solutions Division

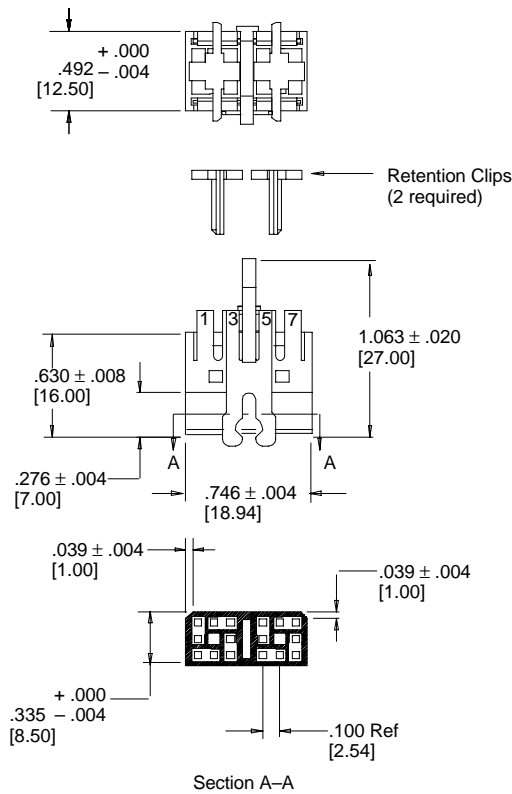
6801 River Place Blvd.
Austin, TX 78726-9000

For technical, sales or ordering information call
800-225-5373

.100" Shielded Controlled Impedance (SCI)

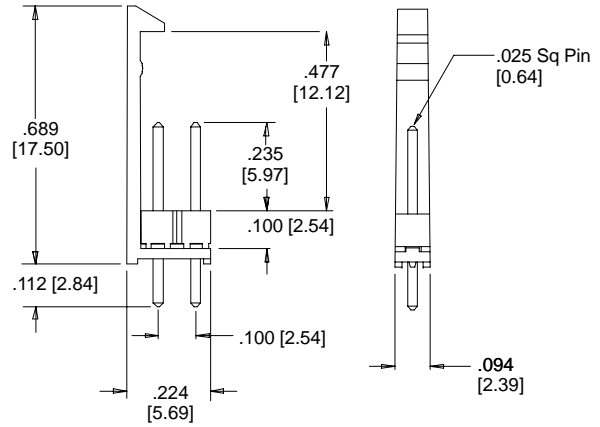
Assembly Hardware

3 × 7 Carrier Housing



Pin Strip with Latch

See Note 1



Inch
[mm]

Tolerance Unless Noted			
	.0	.00	.000
Inch	±.1	±.01	±.005

[] Dimensions for Reference only

Notes:

1. Pin Strip Latch is for use with right angle SCI only.

Ordering Information

3 × 7 Carrier Housing
9821-5000

Pin Strip w/ Latch
2402-3505

4 × 35 Carrier
Housing w/Clamp
9835-X00X

1 = Long Ear
2 = Short Ear

Product Type
0 = SCI connector
1 = Monosignal removable

For technical and quoting information call **800-334-7372**

TS-0802-05
Sheet 3 of 3

3M Interconnect Solutions Division

6801 River Place Blvd.
Austin, TX 78726-9000

For technical, sales or ordering information call
800-225-5373